

NOVA

DESK SYSTEM

NOVA - perfect workspace, open to everyone's design ideas!

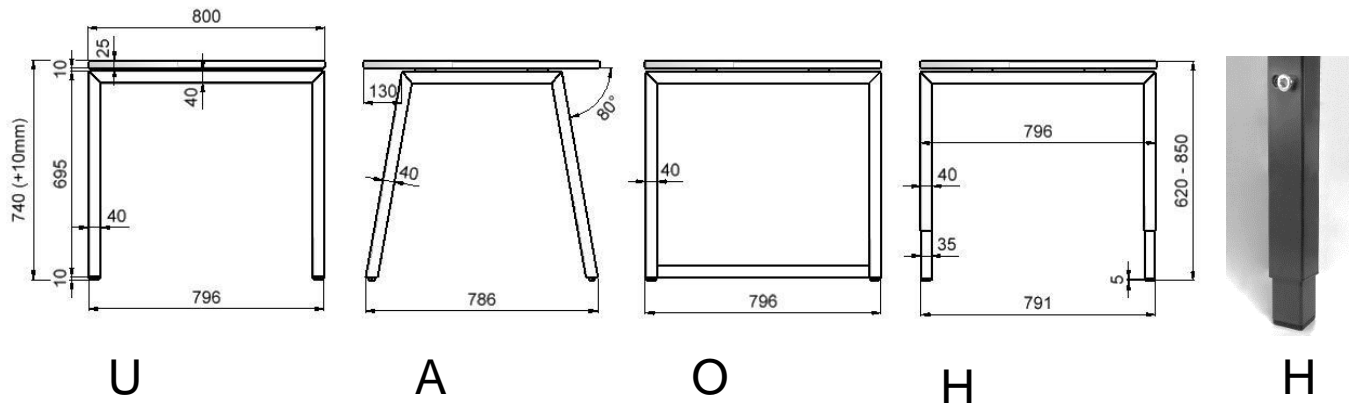
Light, graceful and modern office furniture is made for a young team, which wants to differ in everything including their workspace. Characteristic, innovative design and functionality.



There are 4 types of NOVA desk: NOVA U, NOVA A, NOVA O, NOVA H (the difference in legs).

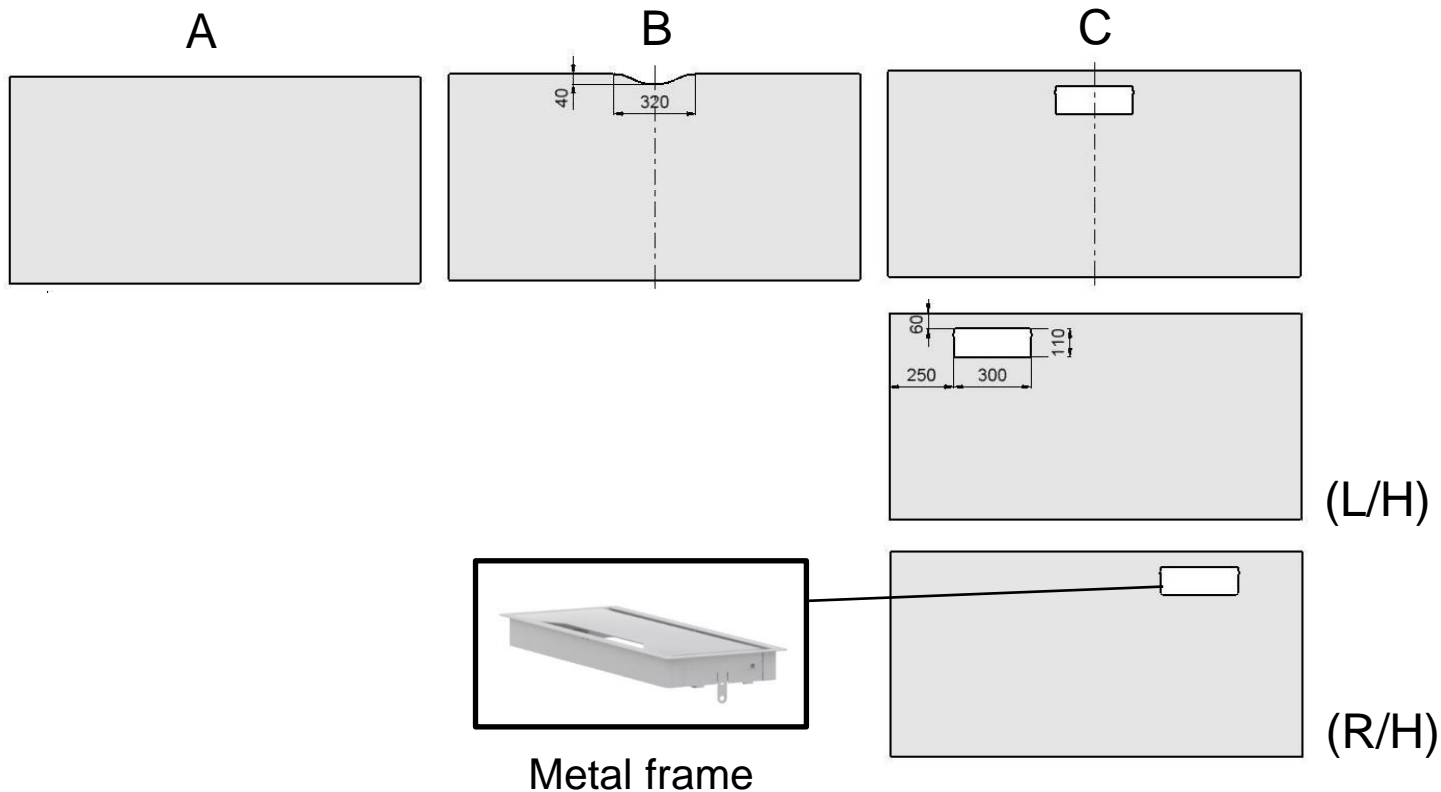
NOVA legs:

- Four types of legs: U, A, O, H;
- The metal beam and connections are the same as in all systems (U, A, O, H);
- All legs are made from metal tubes - 40x40x2 mm;
- Powder coated metal;
- Plastic feet with height levelling (+10mm);
- Desk height – 740 mm;
- NOVA H height adjustment from 620 to 850 mm (standard height 740mm). Plastic feet (without levelling); tube has a scale (in cm) for height adjustment, which can be fixed with bolts (tool DIN911).



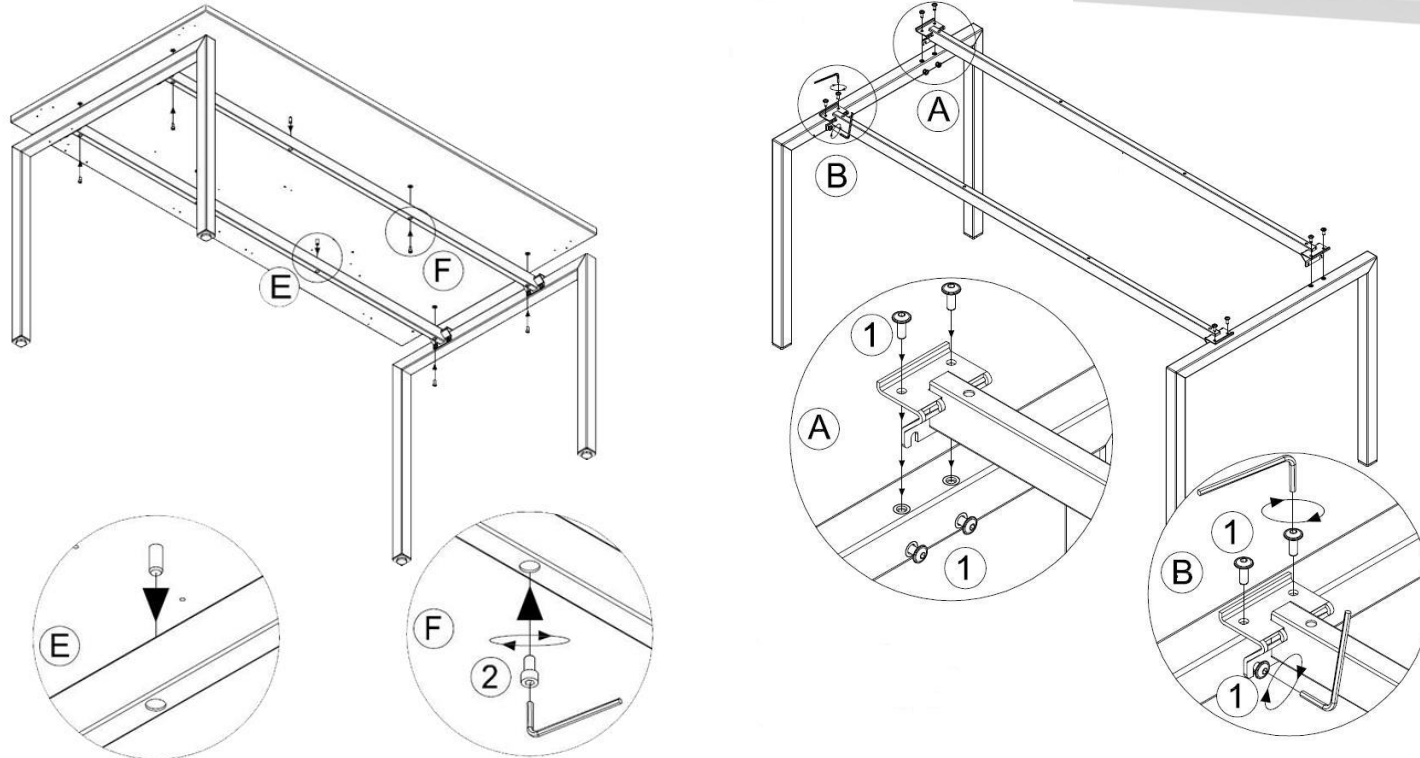
Types of desktops:

- A - desktops without cut-out;
- B - desktops with a cut-out for wire management;
- C - desktops with a cut-out for wire management.



Easy and fast assembling:

- Bolted connections (without screws);
- Easy to assemble and disassemble (“metal to metal”);
- Just one tool for assembling (tool DIN911 S5);
- All desks meet the requirements of the LST EN 527-3 standard.



1. Desktop :

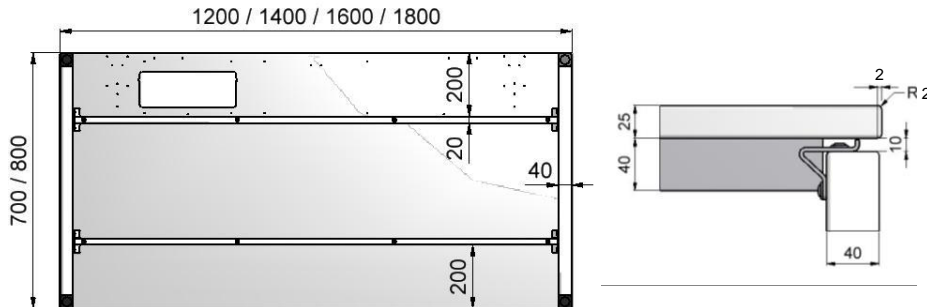
- 25mm MFC (melamine) with 2mm ABS edges;
- 10mm gap between the legs and the desktop.

2. Metal beam:

- Metal tube - 40x20x1.5mm;
- With welded metal plates for leg fixing;
- Powder coated metal, colour corresponds to the legs.

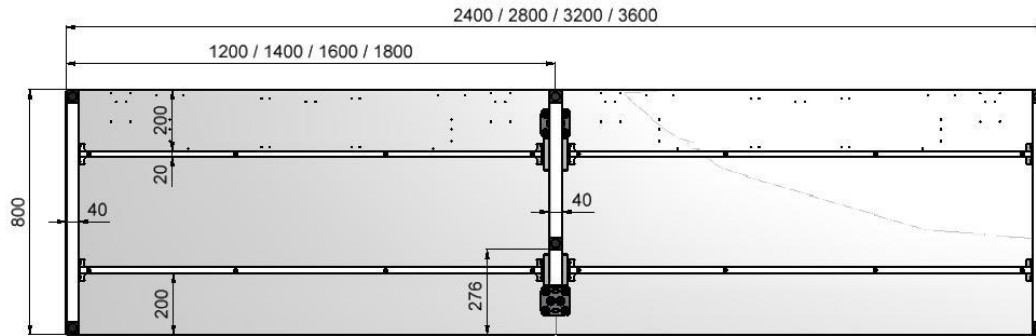
3. Legs:

- Welded metal tube - 40x40x2 mm;
- Powder coated metal;
- Plastic feet with height levelling (+10mm)
- Desk height – 740 mm.



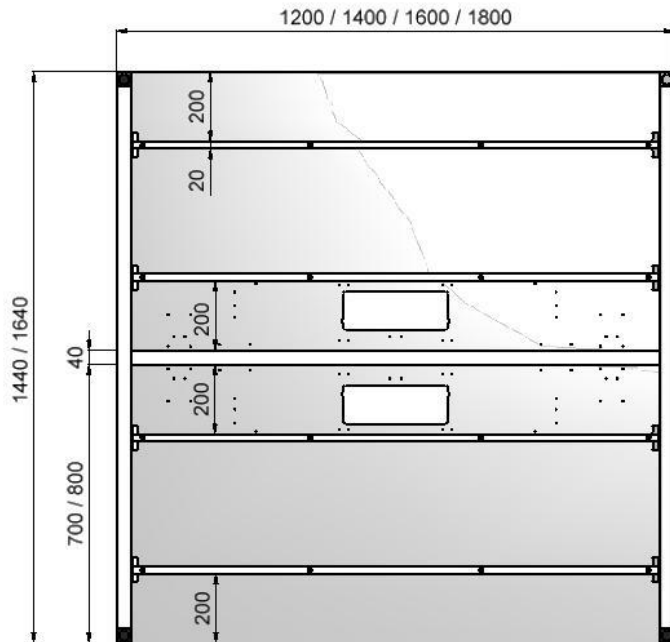
Construction and dimensions:

- Central leg is recessed (from the inside) - 276mm;
- Desktop edges - 2mm ABS;
- There is a possibility to extend the length of the desk by ordering supplementary units.



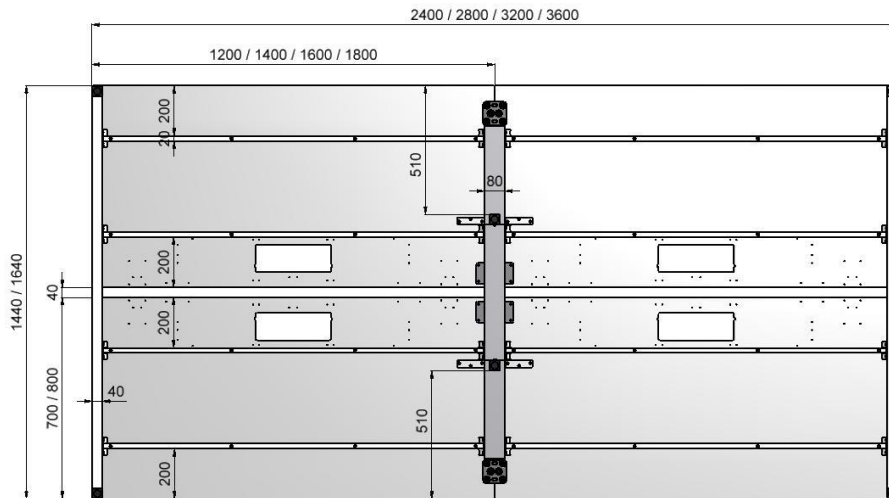
Construction and dimensions:

- Fittings are the same like in the single desks;
- Desktop edges - 2mm ABS;
- Two shaped legs - 1440 or 1640 mm;
- Four metal beams;
- Gap between desktops – 40mm.



Construction and dimensions:

- Two shaped legs - 1440 or 1640mm;
- Gap between desktops – 40mm;
- Desktop edges - 2mm ABS;
- Central legs are recessed - 510mm;
- Possibility to extend the length of the desk by ordering supplementary units.



1. Construction and materials:

- Construction - the same as in all Nova desks;
- 25mm desktop, MFC (melamine) or lacquered veneer;
- Powder coated metal.

2. Meeting tables (dimensions, mm):

- (A) – 800x800, H=740 and 1200x1200, H=740;
- (B) - \varnothing 1000, H=740.

3. Coffee tables :

- (C) – 600x600, H=400mm;
- (D) – \varnothing 850, H=440mm. Metal frame made of tube - 40x30mm. Metal column made of tube (D=76mm). Leg base - \varnothing 500mm, made of 12mm steel plate. Felt upholstered feet.

A



B



C

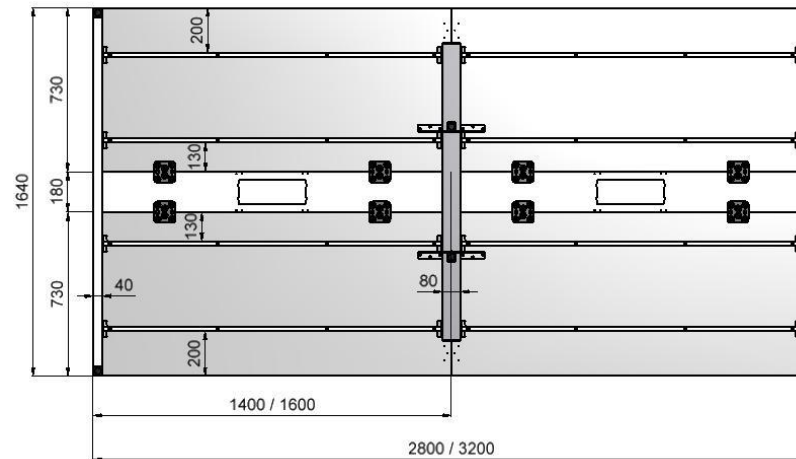
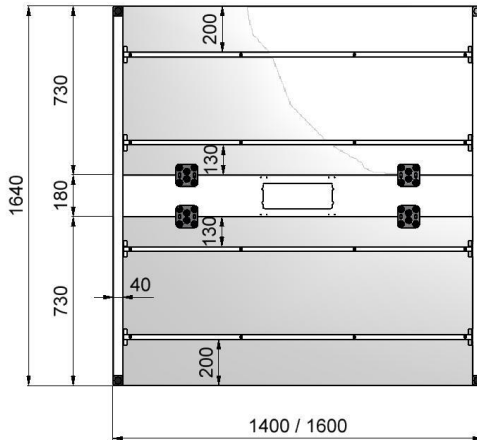
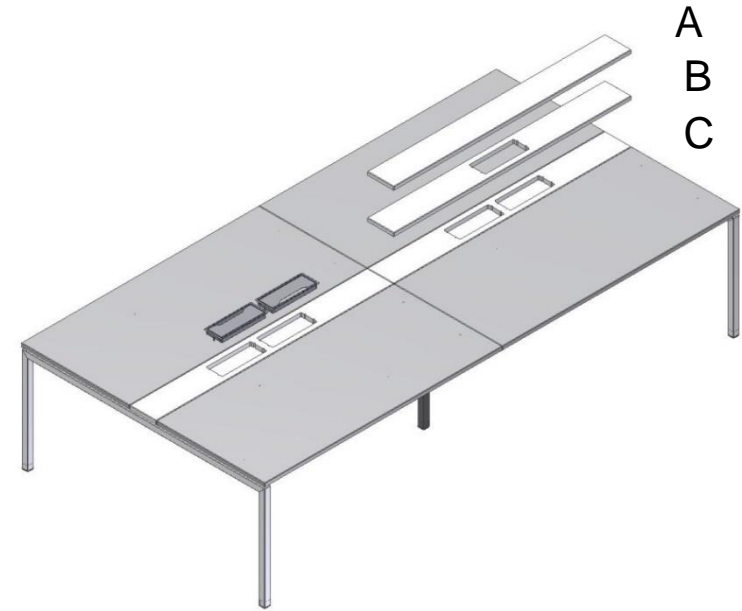


D



Construction, materials and dimensions:

- Construction is the same as in all Nova desks;
- 25 mm desktop, MFC (melamine) or lacquered veneer;
- Powder coated metal;
- 3 types of desktop inserts (A, B and C).
- There is a possibility to extend the length of the desk by ordering supplementary units.



The construction, materials and dimensions:

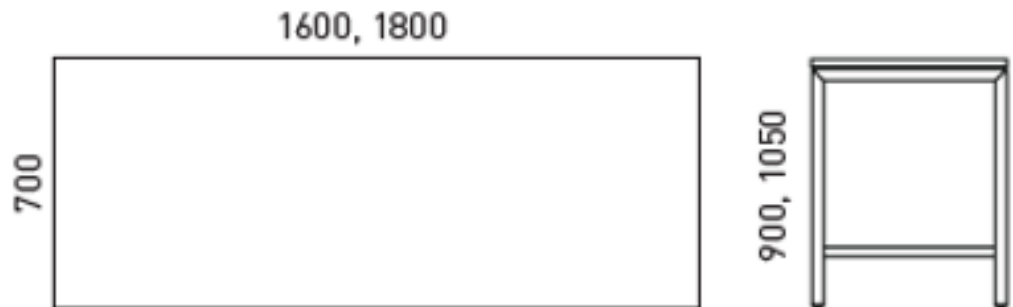
- Construction - the same as in all NOVA desks;
- 25mm desktop, MFC (melamine) or lacquered veneer, 2mm ABS edge;
- Legs: tube 40x40x2mm;
- Legs connecting tube: 35x35x1,5mm;
- Legs connecting the lower frame: 35x35x1,5mm;
- Plastic legs with height adjustable support (+10mm);
- Powder coated metal;
- Dimensions:

1600x700,H=1050 **CNM165**;

1800x700,H=1050 **CNM180**;

1600x700,H=900 **CNM160**;

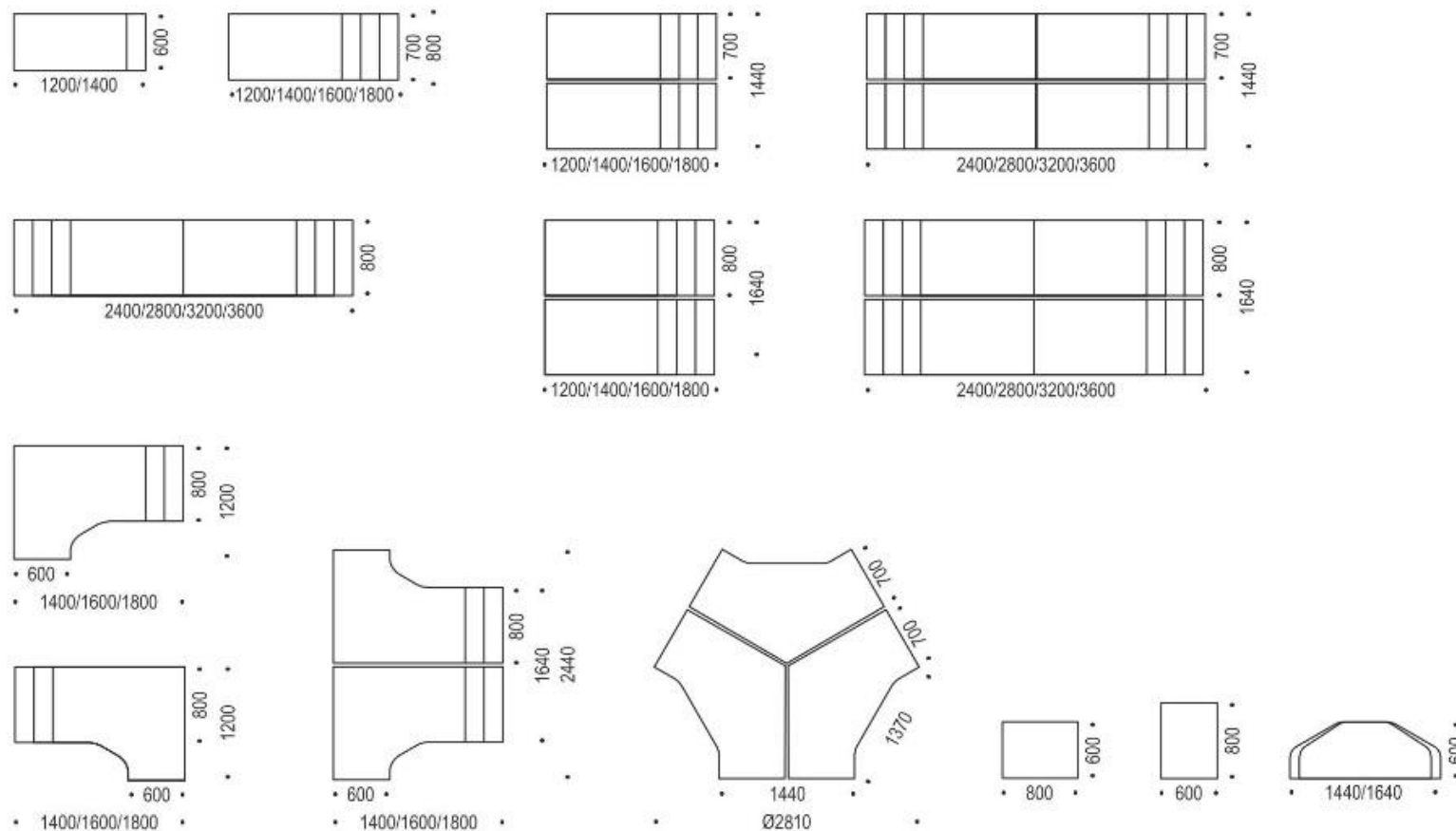
1800x700,H=900 **CNM18B**;



NOVA U desk range

NOVA

H=740 mm



NOVA U

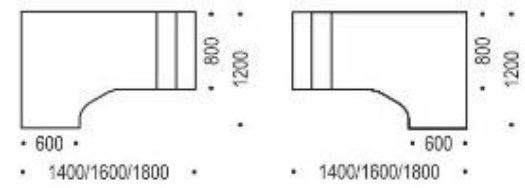
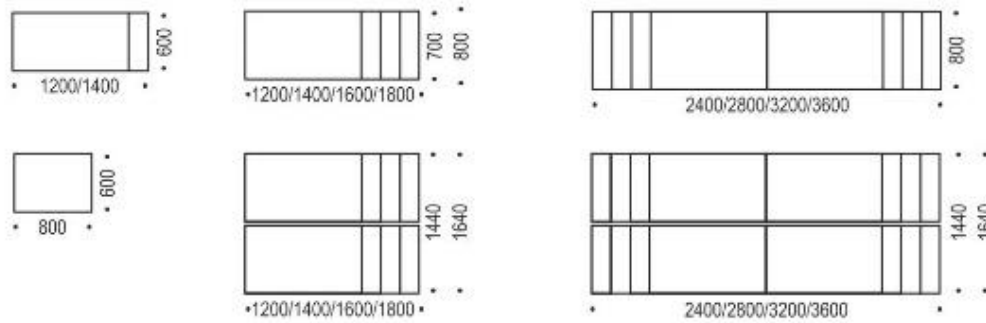


NOVA



NOVA A, NOVA O desk range

NOVA

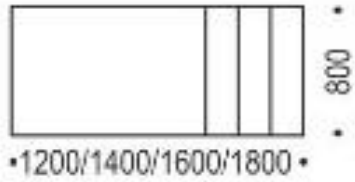


H=620-850 mm



NOVA H desk range

NOVA



H=620-850 mm



Metal frame for wire management:

- Only a frame with a cover cap, not a box (no bottom), an additional cable tray (1 / 2) is required under the frame;
- Dimensions 320x130x25mm;
- Powder coated metal.

Cable tray (1):

- Welded metal wire (ø3 mm thickness);
- Powder coated;
- Can be fixed with metal fittings and screws;
- Plastic joining elements for disassembling (no tools).

Cable tray (2):

- Metal sheet (1.5 mm);
- Powder coated;
- Can be fixed with screws.



1

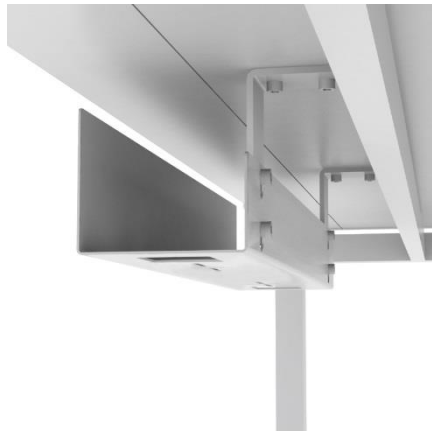


2



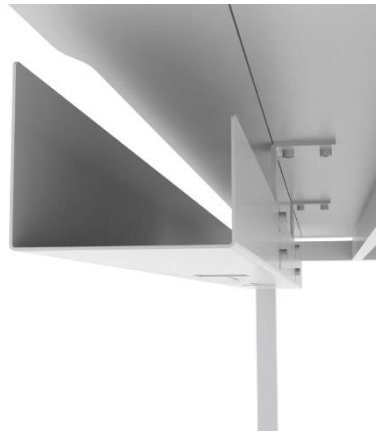
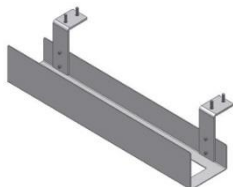
Cable tray for single desk:

- Metal sheet 1.5 mm;
- Powder coated metal sheet;
- Fixed with metal fittings and bolts.



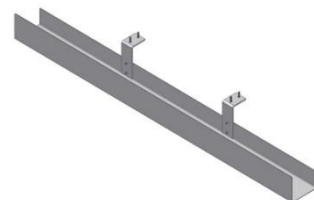
Dimensions(mm):
500x100, H=110

DNZ019



Dimensions(mm):
1100x100, H=110

DNZ020



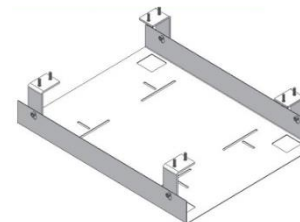
Cable tray for 2 desk bench:

- Metal sheet 1.2 mm;
- Powder coated metal sheet;
- Fixed with metal fittings and bolts.



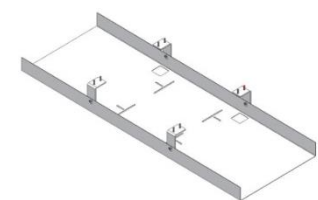
Dimensions(mm):
500x380, H=110

DNZ021



Dimensions(mm):
1100x380, H=110

DNZ022



- Power socket blocks:



- Wire management:



- CPU holders



- Height-adjustable desk shelf (25mm MFC, 6mm Plexiglas);



Meeting tables:



Reception furniture:



Executive furniture:



Screens / modesty panels:



Office cabinets:



Pedestals:

